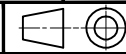


To contact us - Tel +44 (0)1279-729051 email: info@powerproducts.co.uk

**IF IN DOUBT
ASK**

All Information contained in this document is confidential and the copyright reserved

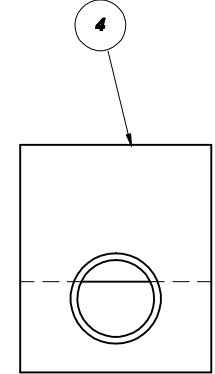
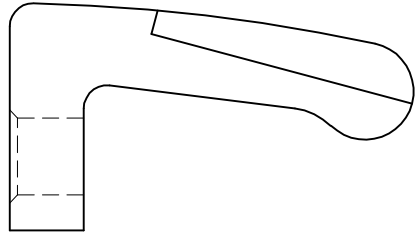
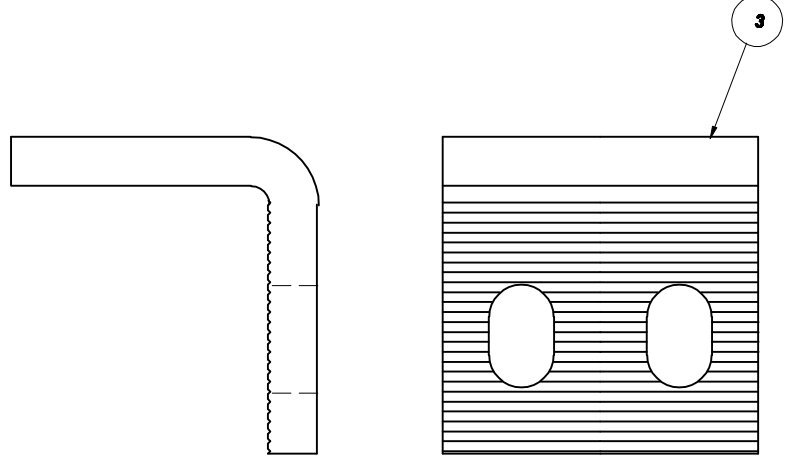
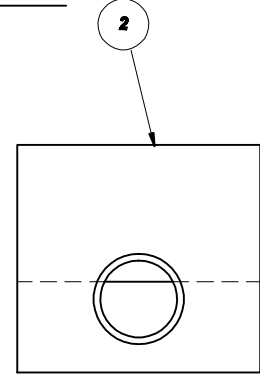
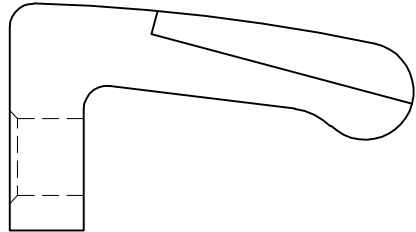
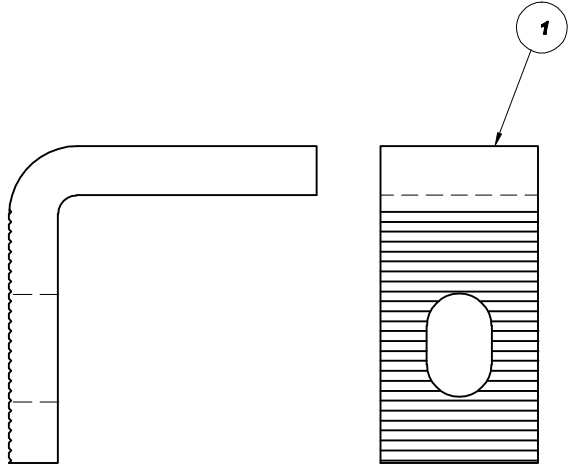
Used on dwg MANUAL



P520905

Quantity				No	Description	Detail No	OEM Part No
D	C	B	A				
			12	1	FIXED CONTACT	P520003/1	
			6	2	MAIN MOVING CONTACT	P520003/A	
			6	3	FIXED ARC CONTACT	P520004/1	
			6	4	MOVING ARC CONTACT	P520004/A	

GROUP A - FULL SET OF FIXED AND MOVING CONTACTS



**SUB STATION
SUPPLY
SOLUTIONS**

**PATTERN FIXED AND MOVING
CONTACTS FOR MET VICK
TYPE LCT TAPCHANGERS**

No	Revision notes	Date/Sig	No	Revision notes	Date/Sig	No	Revision notes	Date/Sig	Scale NTS	Drawn ACS	Checked AJT	Approved AJT	Date 02/03/10

REV No	P520905	REV
Sheet No		0