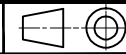


To contact us - Tel +44 (0)1279-729051 email: info@powerproducts.co.uk

**IF IN DOUBT
ASK**

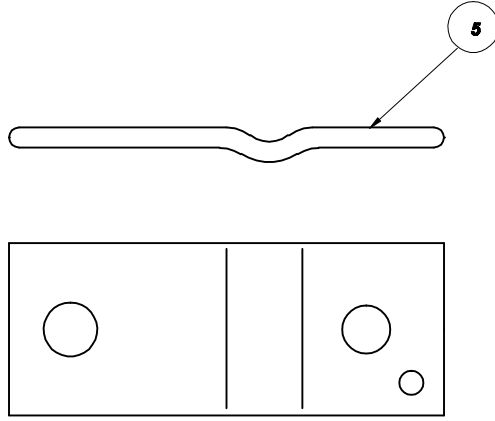
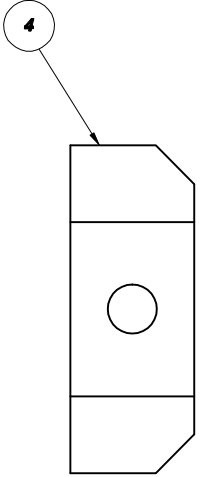
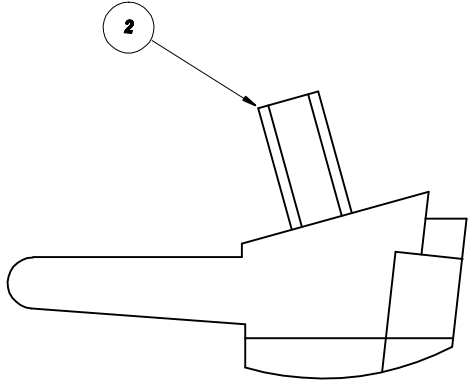
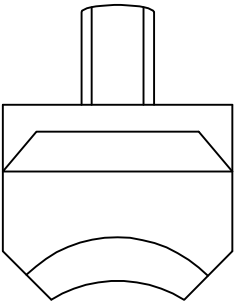
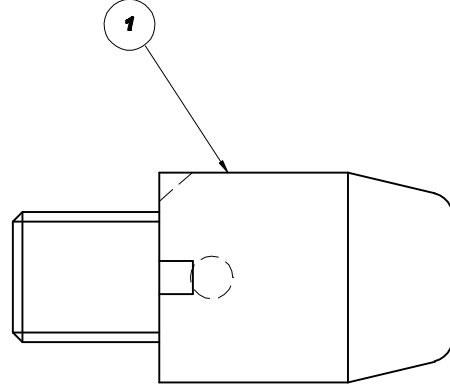
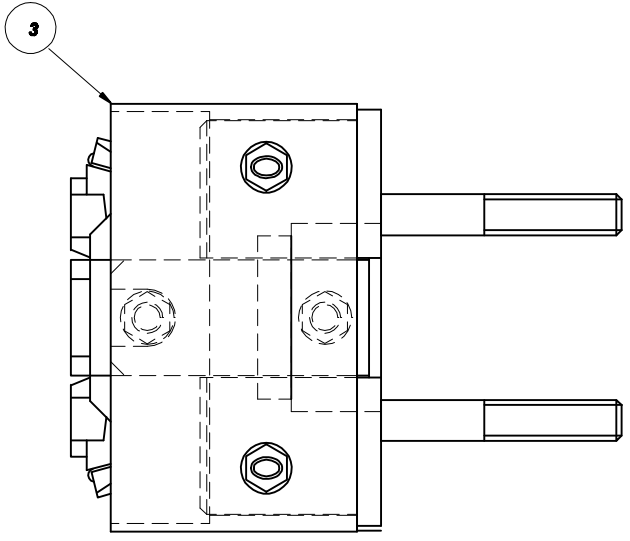
All information contained in this document is confidential and the copyright reserved

Used on dwg MANUAL



P340927

Quantity				No	Description	Detail No	Nat Com Code	OEM Part No
D	C	B	A					
				1	MOVING CONTACT TIP	P340057/A	41-95-006	2D25321A
				2	FIXED CONTACT FINGER	P340042/A		2D59152A
				3	FIXED CONTACT ASSEMBLY	P340068/A		
				4	FLEX CONNECTION SUPPORT	P340042/3		
				5	FLEXIBLE CONNECTION	P340042/4		



**SUB STATION
SUPPLY
SOLUTIONS**

**PATTERN FIXED AND
CONTACTS FOR TYPE
OD11 SWITCHGEAR**

No	Revision notes	Date/Sig	No	Revision notes	Date/Sig	No	Revision notes	Date/Sig	Scale NTS	Drawn ACS	Checked A/JT	Approved A/JT	Date 01/03/10	Sheet No	P340927	REV 0
----	----------------	----------	----	----------------	----------	----	----------------	----------	-----------	-----------	--------------	---------------	---------------	----------	----------------	-----------------