

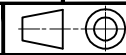
To contact us - Tel +44 (0)1279-729051

email: info@powerproducts.co.uk

**IF IN DOUBT
ASK**

All information contained in this document is confidential and the copyright reserved

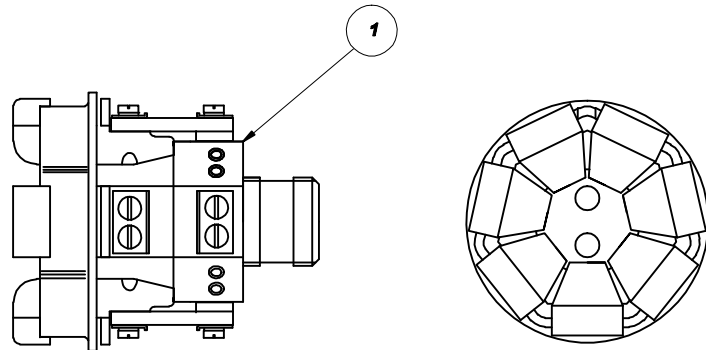
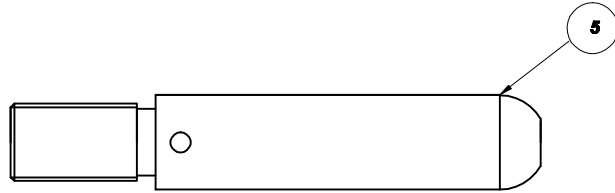
Used on dwg MANUAL



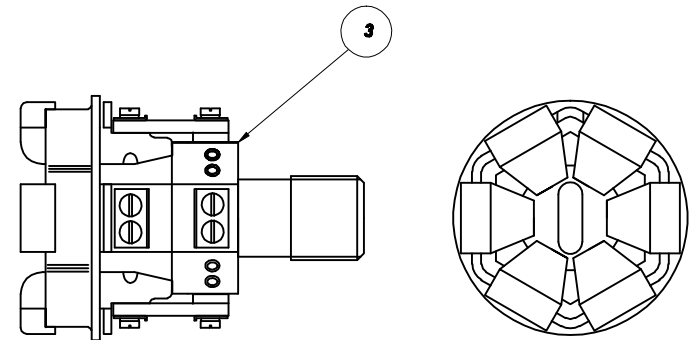
P340923

Quantity				No	Description	Detail No	OEM Part No
D	C	B	A				
			6	1	FIXED CONTACT - BVRP3	P340016/A	
				2	FIXED CONTACT - 7 FINGER	P340023/A	
				3	FIXED CONTACT - 6 FINGER	P340024/A	
				4	FIXED CONTACT - BVRP6	P340025/A	
			6	5	MOVING CONTACT - BVRP3	P340026/1	

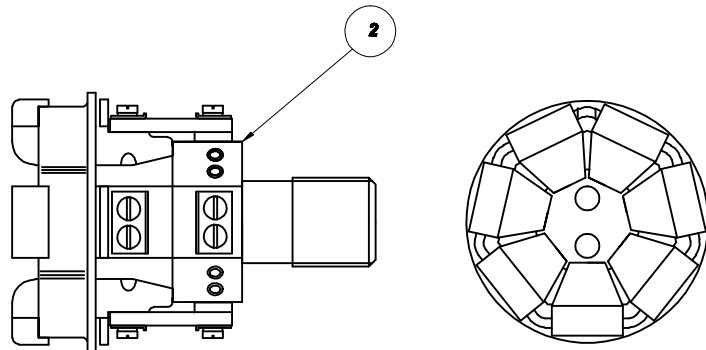
NOTE: SEE DRAWING P340901 FOR BVRP17 CONTACTS



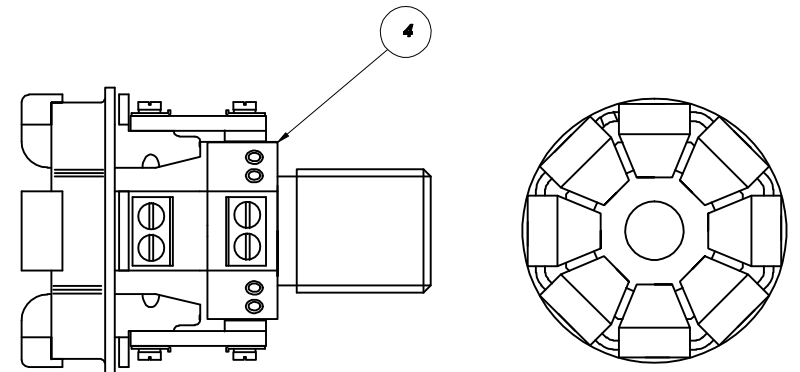
BVRP3 NOTE - NOT ALL FINGERS SHOWN FOR CLARITY



NOTE - NOT ALL FINGERS SHOWN FOR CLARITY



NOTE - NOT ALL FINGERS SHOWN FOR CLARITY



BVRP 5 NOTE - NOT ALL FINGERS SHOWN FOR CLARITY

**SUB STATION
SUPPLY
SOLUTIONS**

**PATTERN FIXED AND
MOVING CONTACTS FOR
GEC BVP/BVRP RANGE**

No	Revision notes	Date/Sig	No	Revision notes	Date/Sig	No	Revision notes	Date/Sig	Scale NTS	Drawn ACS	Checked A/JT	Approved A/JT	Date 01/03/10	Sheet No	P340923	REV 0
----	----------------	----------	----	----------------	----------	----	----------------	----------	-----------	-----------	--------------	---------------	---------------	----------	----------------	-----------------