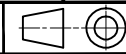


To contact us - Tel +44 (0)1279-729051 email: info@powerproducts.co.uk

**IF IN DOUBT
ASK**

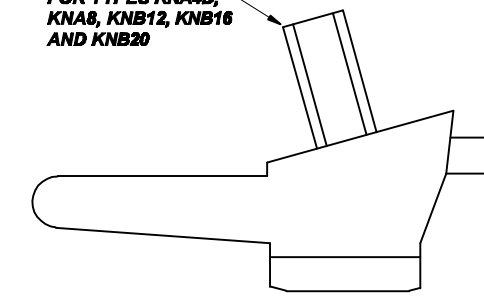
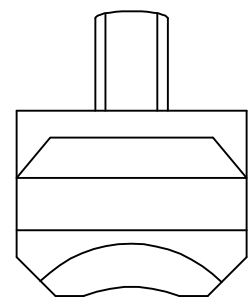
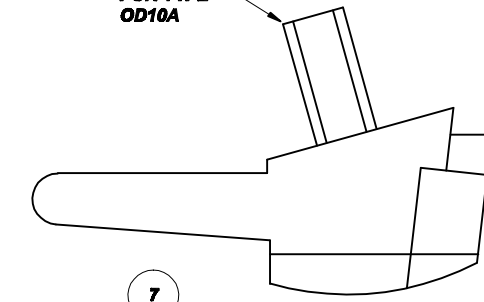
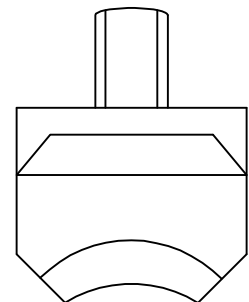
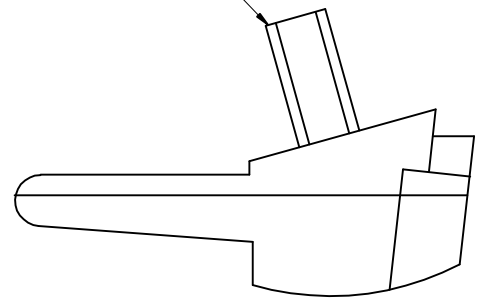
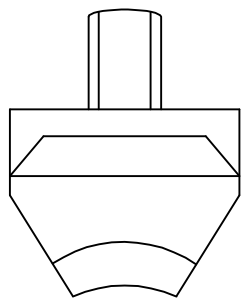
All information contained in this document is confidential and the copyright reserved

Used on dwg MANUAL



P340917

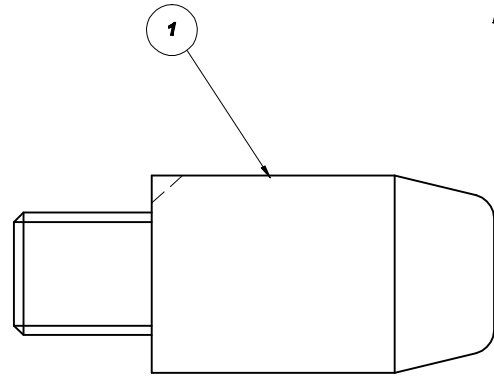
THIS IS A SPECIAL CONTACT 3



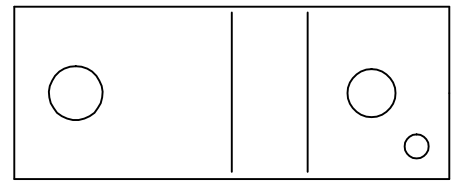
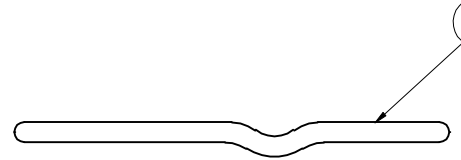
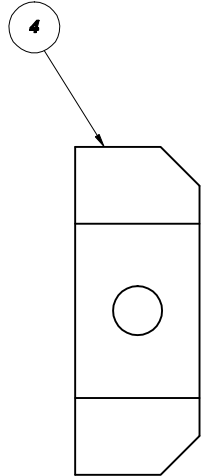
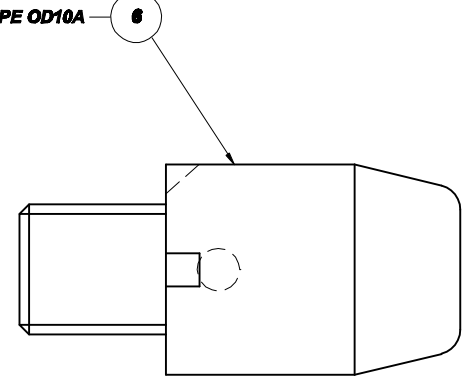
FOR TYPE OD10A

FOR TYPES KNA4D, KNA8, KNB12, KNB16 AND KNB20

| Quantity | | | | No | Description | Detail No | Nat Com Code | OEM Part No |
|----------|---|----|----|----|----------------------------|-----------|--------------|-------------|
| D | C | B | A | | | | | |
| | | 6 | 6 | 1 | MOVING CONTACT TIP(OFA12) | P340041/B | | |
| | | | 24 | 2 | FIXED CONTACT FINGER | P340042/A | | 2D59152A |
| | | 36 | | 3 | FIXED CONT FINGER(SPECIAL) | P340041/A | | |
| | 1 | | | 4 | FLEX CONNECTION SUPPORT | P340042/3 | | |
| | 1 | | | 5 | FLEXIBLE CONNECTION | P340042/4 | | |
| | | | | 6 | MOVING CONTACT TIP | P340087/A | 41-95-006 | 2D25321A |
| | | | | 7 | FIXED CONTACT FINGER | P340042/B | | 2D49948A |



FOR TYPE OD10A



**SUB STATION
SUPPLY
SOLUTIONS**

**PATTERN FIXED & MOVING
CONT'S - GEC TYPES OFA12,
OD10A, KNA4, 8, 12, 16 & 20**

| | | | | | | | | | | | | | | | | |
|----|----------------|----------|----|----------------|----------|----|----------------|----------|-----------|-----------|-------------|--------------|---------------|----------|----------------|----------|
| No | Revision notes | Date/Sig | No | Revision notes | Date/Sig | No | Revision notes | Date/Sig | Scale NTS | Drawn ACS | Checked AJT | Approved AJT | Date 01/03/10 | Sheet No | P340917 | REV 0 |
|----|----------------|----------|----|----------------|----------|----|----------------|----------|-----------|-----------|-------------|--------------|---------------|----------|----------------|----------|