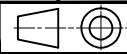


To contact us - Tel +44 (0)1279-729051 email: info@powerproducts.co.uk

**IF IN DOUBT
ASK**

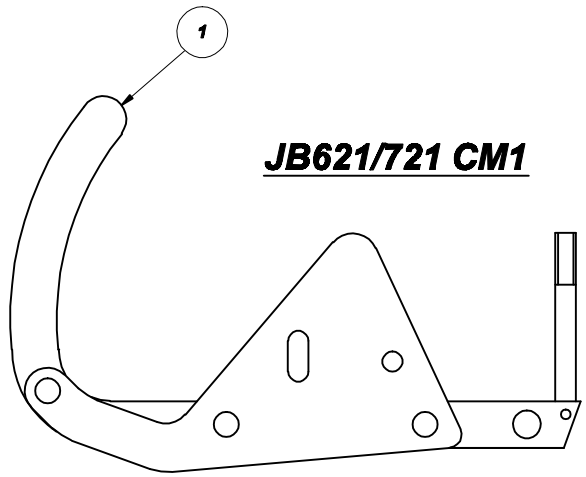
All information contained in this document is confidential and the copyright reserved

Used on dwg MANUAL

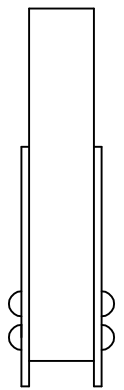


P100905

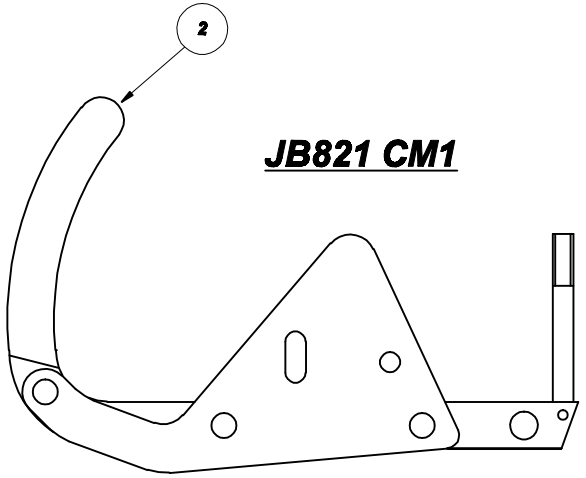
Quantity				No	Description	Detail No	OEM Part No
D	C	B	A				
				1	MOVING CONTACT-JB621/721 CM1	P100031/A	
				2	MOVING CONTACT-JB821 CM1	P100033/A	
				3	MOVING CONTACT-JB921 CM12	P100029/A	



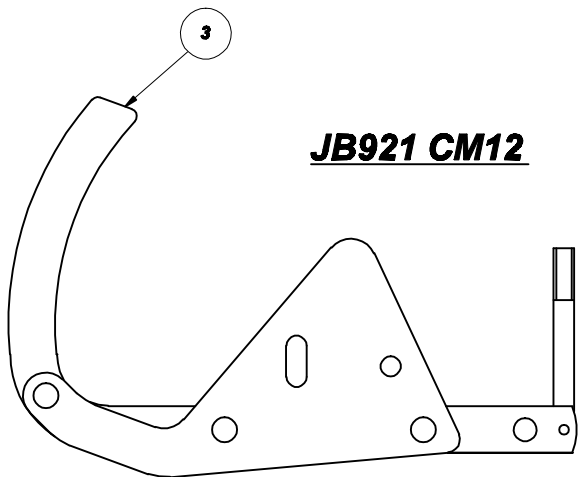
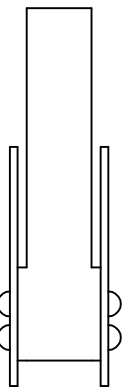
JB621/721 CM1



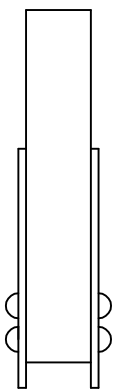
FOR JB424 SEE DRAWING P100910



JB821 CM1



JB921 CM12



**SUB STATION
SUPPLY
SOLUTIONS**

**PATTERN MOVING CONTACTS
FOR ENGLISH ELECTRIC TYPES
JB621/721, JB821 & JB921 SWGR**

No	Revision notes	Date/Sig	No	Revision notes	Date/Sig	No	Revision notes	Date/Sig	Scale NTS	Drawn ACS	Checked AJT	Approved AJT	Date 28/03/10

REV No	P100905	REV
Sheet No		0